



LN-G3-RS50/LN-G3-RS50-LRF (PRO) QHD G3 DIGITAL DAY/NIGHT VISION SCOPE 6-36x50

INSTRUCTION MANUAL



Maintenance & Storage

- Keep the device away from water and store in a cool, dry environment.
- Do not attempt to repair the device by yourself, please seek professional assistance.
- The optical lenses can be cleaned with dry lens cloth.



The LN-G3-RS50 QHD digital scope can be utilized safely both during the day and nighttime.

WARNING: Please follow these important rules before using this device:

- This device is intended for recreational and legal activities only; using this device for illegal activities is strictly prohibited.
- Please follow and be informed of local laws before using this device. Depending on the state or region, hunting during nighttime may be prohibited.
- **Maximum Recoil Energy of the caliber cannot be over 18.5. Please refer to the recoil energy chart at the end of this manual for acceptable calibers!**



1. Objective Lens Distance Focus
2. Display Brightness Button
3. Video Recording/Laser Rangefinder Button (model LN-G3-RS50-LRF and PRO models only – pictured here)
4. Power/IR Brightness Button
5. Eyepiece Lens/Eye cup
6. Eyepiece Lens Eyesight Focus
7. Battery Cover
8. Logo Position
9. Quick Detach Mount Locking Screws
10. Infrared Light (IR) Beam Focus
11. Upper Accessory Rail
12. Menu Controller
13. Micro-SDHC Card/Micro USB/Mini HDMI connection ports
14. Laser Rangefinder (model LN-G3-RS50-LRF and PRO models only)
15. Quick Detach Mount Levers
16. Quick Detach Mount Release Button

17. Objective Lens (Cover/Daytime Filter) (Attach during day, remove at night)

► How to supply power to the device ◄

1. By battery

Twist open the battery cover “7” and insert 2x CR123A batteries in the direction indicated in the battery tube.

2. By power bank

Connect a power bank (5V2A) using the supplied cable into the Micro USB socket “12”

IMPORTANT:

1. The voltage of the power bank cannot be higher than 5V or it will permanently damage the electronics inside the device (not covered by warranty).
2. Battery and power bank cannot be used simultaneously. To use power bank to supply power, remove the CR123A batteries. The power bank cannot charge the batteries.

► How to turn on and turn off the device ◄

1. Turn ON

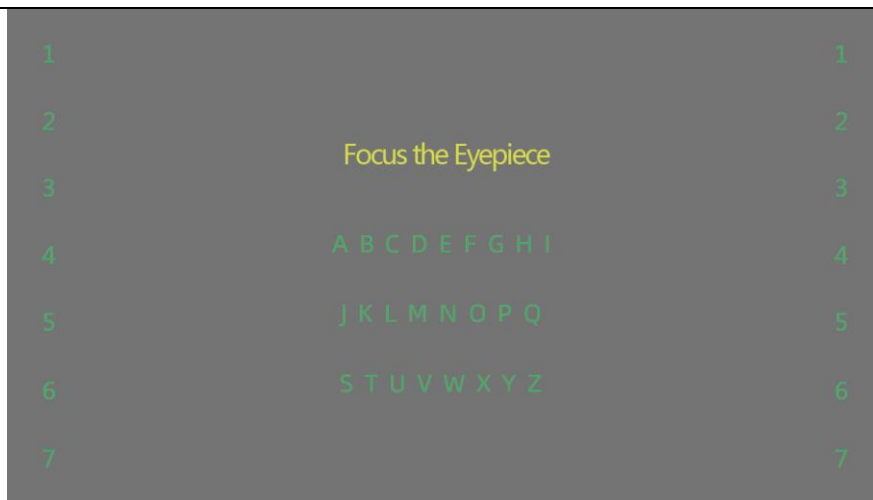
Press the power button “4” momentarily.

2. Turn OFF

Press and hold the power button “4”.

Note

- If the device is turned on during daytime, the image may not appear immediately.
- Also make sure the daylight filter “17” is attached during the day, otherwise the display may be completely white until brightness is manually adjusted to comfortable level and, additionally, if used in full-color mode, colors will appear unnatural.



After starting up the device, you will see this picture. This picture is used as a reference to adjust the eyesight focus for the clearest image. Once eyesight focus is adjusted, press momentarily Power Button “4” to remove this picture.

► How to focus and adjust the device for the clearest image ◀

1. Focus the eyepiece lens

Rotate the eyepiece lens eyesight focus “6” to get a clearer view of the display.

2. Focus the objective lens

Rotate the objective lens distance focus “1” to get a clear view of the target.

3. Adjust the display brightness

Press the front brightness control button “2” to cycle through 7 brightness levels.



4. Adjust the magnification

Rotate the menu controller “12” to increase or decrease the magnification from 6X to 36X.

► How to use the night vision function and see in the dark ◀

1. The infrared light (IR) “10” will need to be turned on most of the time to see in the dark conditions.
2. To turn on the infrared light (IR), press the power/IR brightness button “4” momentarily and cycle through 3 IR brightness levels.

-  IR brightness level 1

-
-  IR brightness level 2
 -  IR brightness level 3
3. If none of the above are shown, then the infrared light (IR) is not turned on.

Note

- Higher IR brightness level will drain battery at a much faster rate. Use only the IR brightness level that's necessary for comfortable viewing.

Adjusting the infrared light (IR)

1. The infrared light (IR) beam can be spread to see a wider area at night or concentrated to see further distances.
2. To adjust the size of the IR beam, rotate the infrared light focus "10" to see a wider or narrower field of view at night.

Note

- Increasing the infrared light (IR) beam width will decrease detection distance. In contrast, decreasing the beam width will increase detection distance.

IMPORTANT:

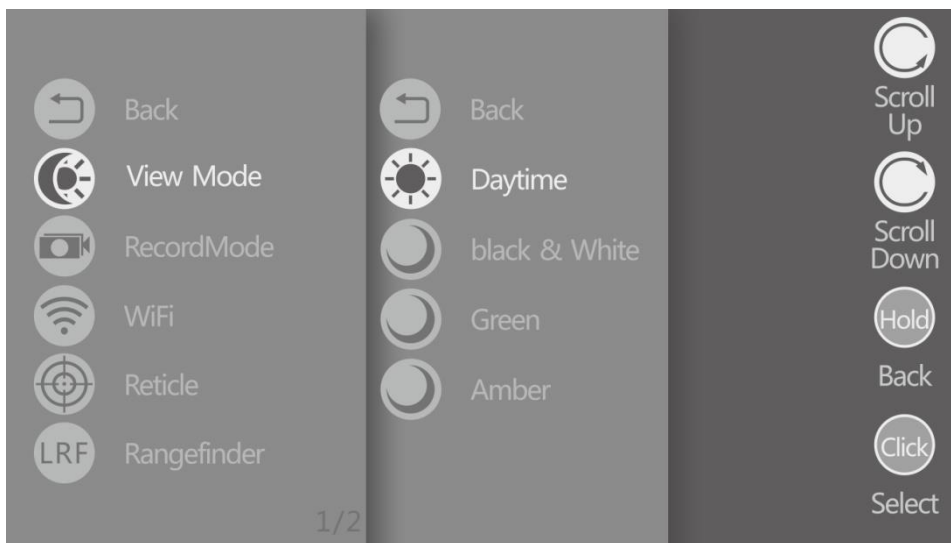
1. The daylight filter cover "17" must be removed to see in the dark.
2. When the infrared light (IR) is turned on, do not look at it directly. It may cause discomfort or severe damage to your eyes!

How to navigate through the menu

1. Press and hold the menu controller "12" to enter the main menu.
2. Rotate the menu controller "12" clockwise to scroll down, rotate counterclockwise to scroll up.
3. Press the menu controller "12" momentarily to select an item on the menu.
4. Press and hold the menu controller "12" to exit the sub-menu or main menu.

How to change the display color

1. The display colors can be quickly changed and cycled through by pressing the menu controller “12” momentarily when not in the main menu mode.
2. Alternatively, the display color can be manually selected by entering the main menu → **View Mode** → select the desired color setting.
3. During daytime to see natural vibrant colors, attach the daylight filter “17” and use the **Daytime or Full Color** display color setting.
4. For night use, select monochrome colors: **black & white, green phosphor, white phosphor, or amber.**



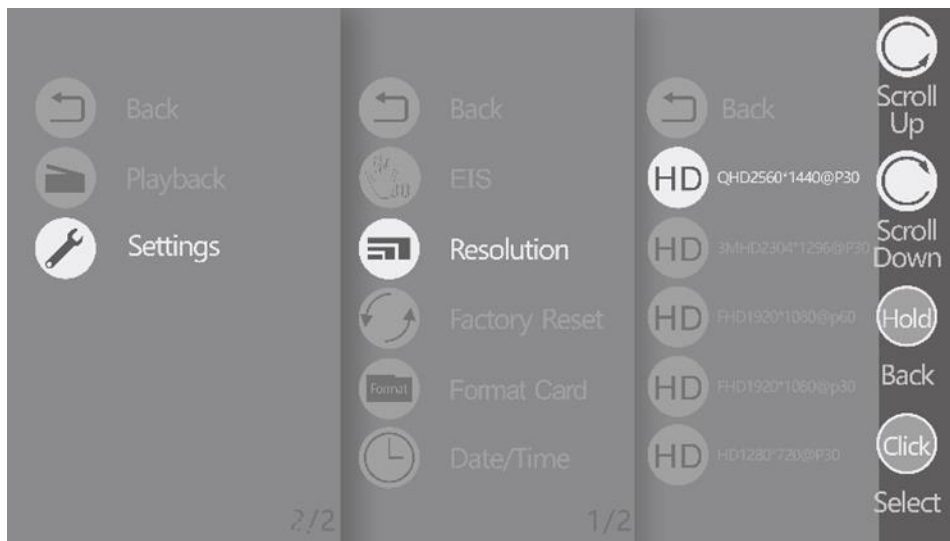
How to record video

1. Make sure a Micro-SDHC Card is inserted into the SD card slot “13”.
2. After starting up the device, the default mode is usually in video.
3. Alternatively, enter the main menu, select **Record Mode** → **Video** to enter video recording mode.
4. To start video recording, press the middle video recording/laser rangefinder button “3” momentarily. The timer will be shown on the top left.
5. To stop video recording, press the middle video recording/laser rangefinder button “3” momentarily again.
6. The magnification can be adjusted during video recording by rotating the menu controller “12”.



Video recording resolution settings

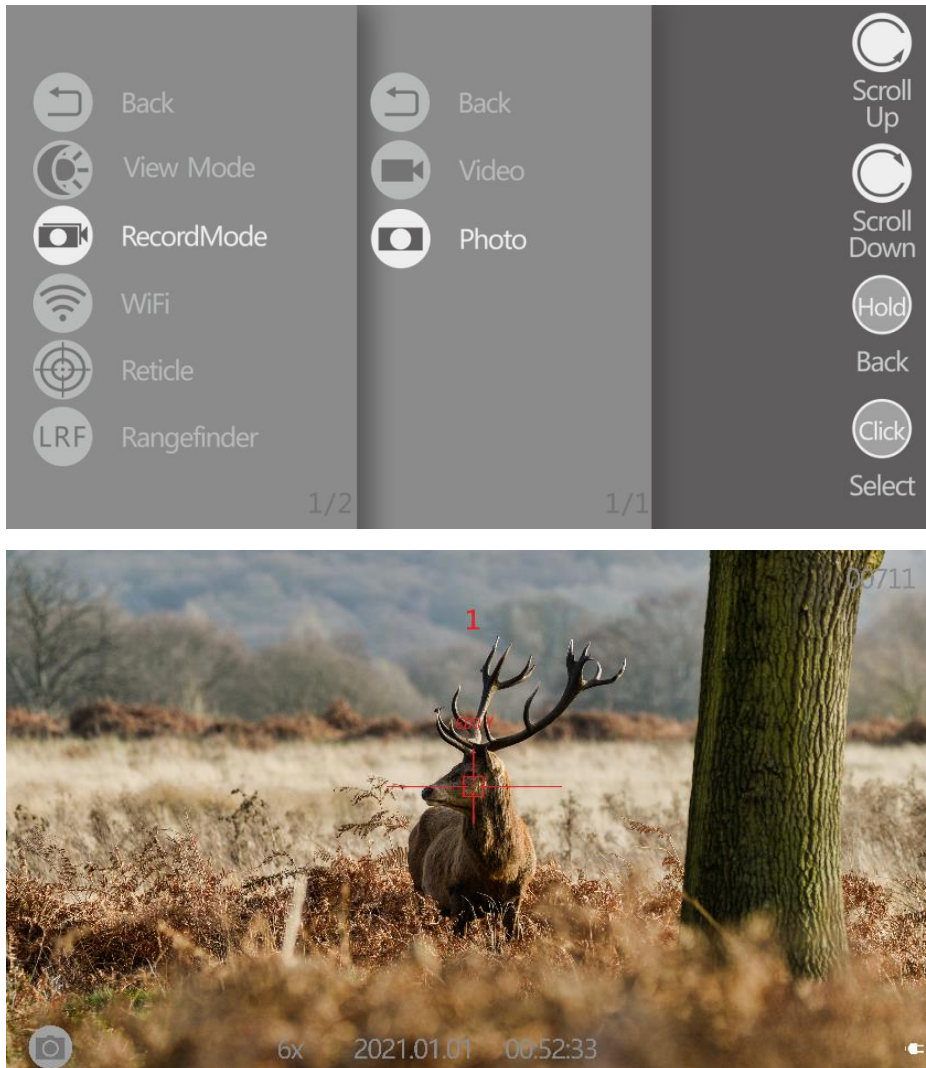
1. Enter the main menu, select **Settings** → **Resolution** → select desired video recording resolution.
2. The default video recording resolution setting is QHD2560*1440@P30. (The higher the resolution, the clearer the image, but also larger the file size)



How to take photo

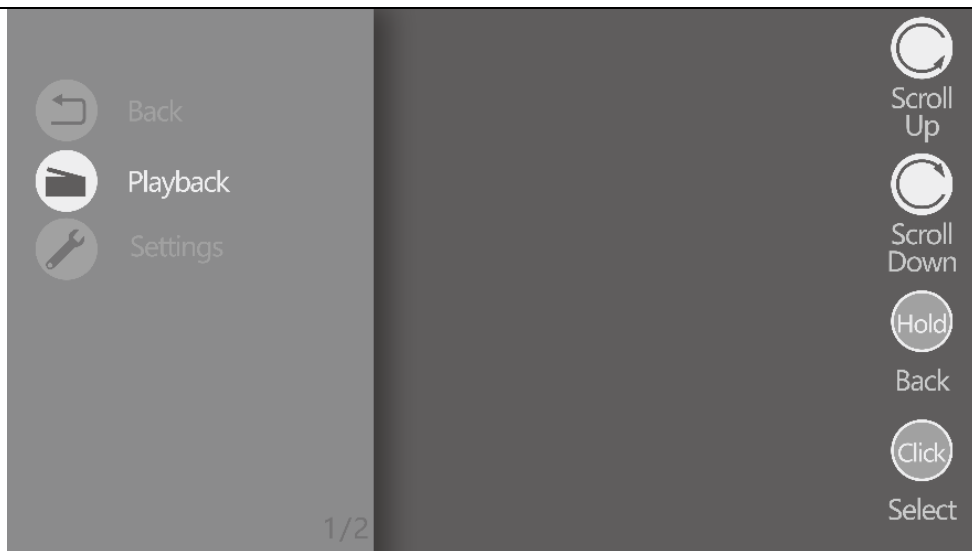
1. Make sure a Micro-SDHC Card is inserted into the SD card slot "13".
2. Enter the main menu, select **Record Mode** → **Photo** to enter photo taking mode.
3. When in photo taking mode, the photo taking icon will be shown on the bottom left.

4. Press the middle video recording/laser rangefinder button “3” momentarily while in photo taking mode to take photo. The photo will be taken after three seconds. (On models with Capture Mode selection you can choose between default 3sec delay time, or instant photo capture or a different time delay).
5. The magnification can be adjusted in photo taking mode by rotating the menu controller “12”.



How to view photos and videos taken

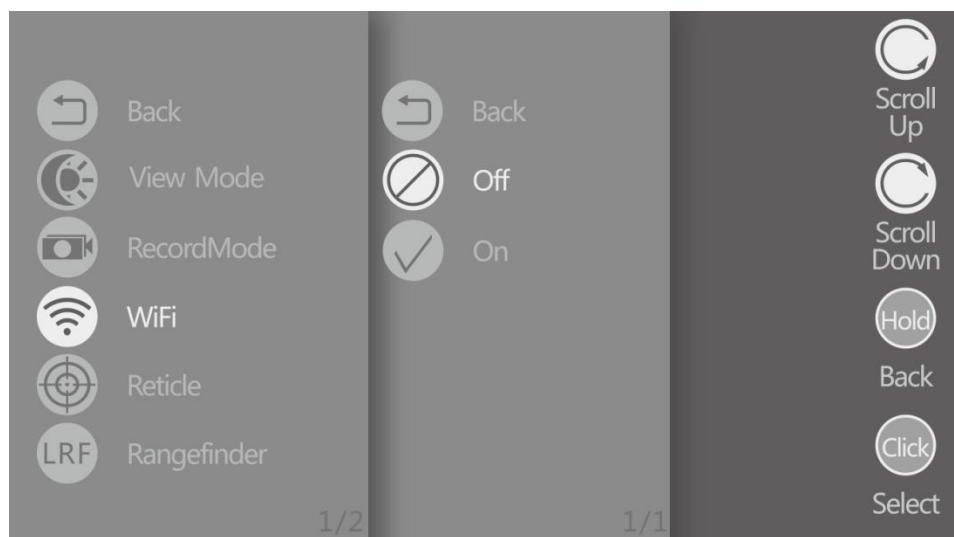
1. Enter the main menu, scroll down to the second page and select **Playback**, then select the photo or video you wish to view.
2. After selecting a video, press the menu controller “12” to play, and press the menu controller “12” again to pause.
3. To exit Playback, press and hold the menu button.



How to turn on WIFI



1. Download the RoadCam APP from the app store, but do not open it yet.
2. Enter the main menu and select **Wi-Fi**, then select **On** to turn on WiFi.
3. A Wi-Fi name and password will be shown on the screen. Select the WiFi name on the pairing device and enter the password shown to connect the two devices.
4. Once connected, make sure your phone is allowed to stay connected to this Wi-Fi signal even though there is no internet available.
5. Now open the RoadCam app and it will display the device name. Touch the cam symbol and the device will start streaming. Note that video recording will start automatically once app is connected.



Prior to zeroing the scope make sure the rifle is in the steady position (in the vice – recommended or at least on a bipod). **Once zeroing starts rifle cannot be moved.**

1. Enter the main menu and select **Reticle** → **Reticle Adjustment** → **On**. This will open up the shooting mode interface.



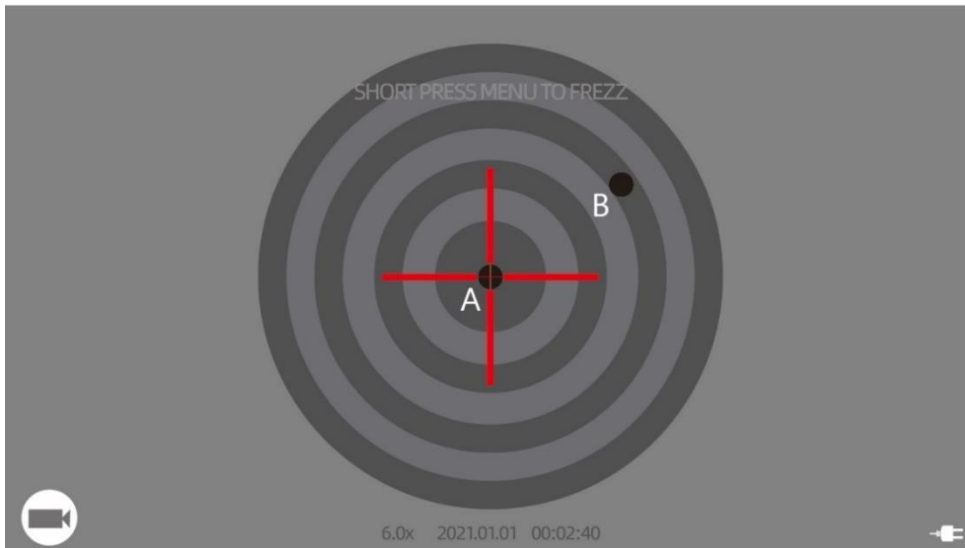
2. After entering shooting mode, aim at a target and shoot. (Shown as A in the following example)



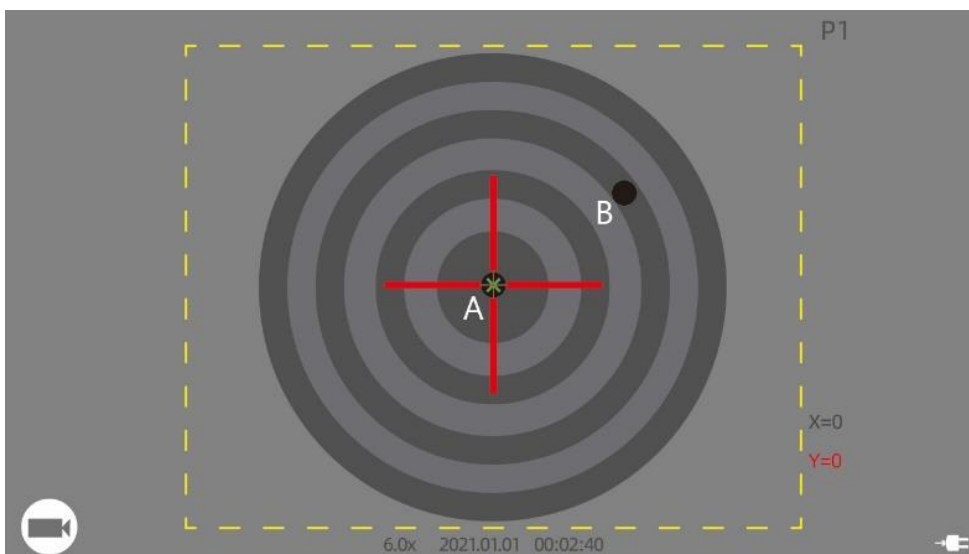
3. The bullet will land at a location further away from the center of the reticle. (Shown as B in the following example)
4. This is to be expected if the reticle is not zeroed.
5. Now press the menu button momentarily to freeze the image. This will take a photo of the shot and enter reticle adjustment mode.

Note

- If the location of the first shot is in the bullseye, no zeroing needs to be done.



6. After freezing the image, a yellow border will appear. This is the maximum area the reticle can be adjusted within.
7. A small green "x" will also appear at the center of the reticle to indicate the reticle can now be moved.



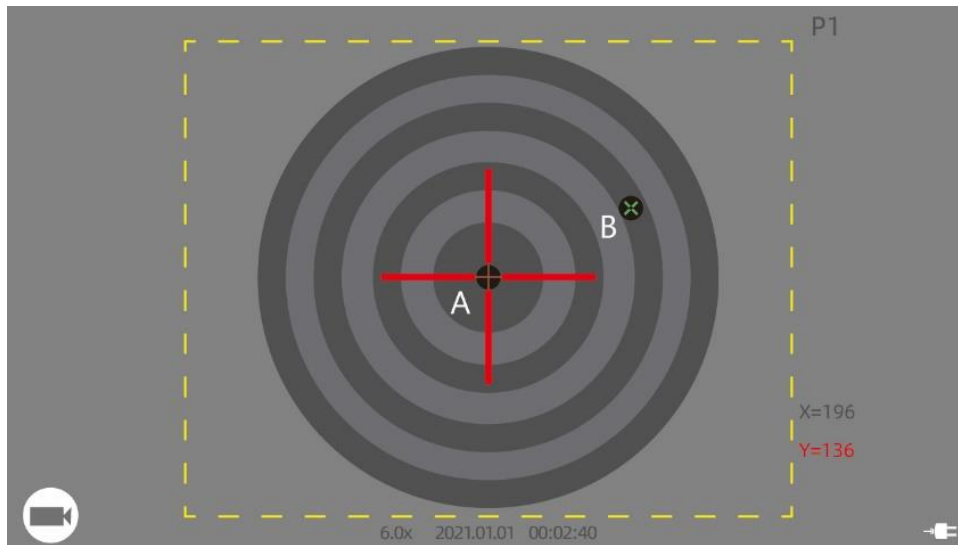
8. Rotate the menu controller clockwise or counterclockwise to move the "x" left or right to adjust the position of the reticle on the X-axis (horizontally).
- 9. Make sure the "x" is lined up vertically to the bullet drop.**
10. Press the menu controller "12" momentarily to confirm. This will switch over to the adjustment for the Y-axis (vertically).
11. Adjust the position of the "x" same as before by moving the "x" up or down.

12. Make sure the “x” is now lined up horizontally to the bullet drop.

13. If more adjustments need to be made, press the menu button “12” to cycle through the 3 options X, Y, and P.

14. The adjustment option currently selected is shown in **red text** in the lower right of the display (X and Y) and in the upper right of the display (P).

15. Make sure the “x” is exactly on top of the bullet drop – then your adjustment is finished.

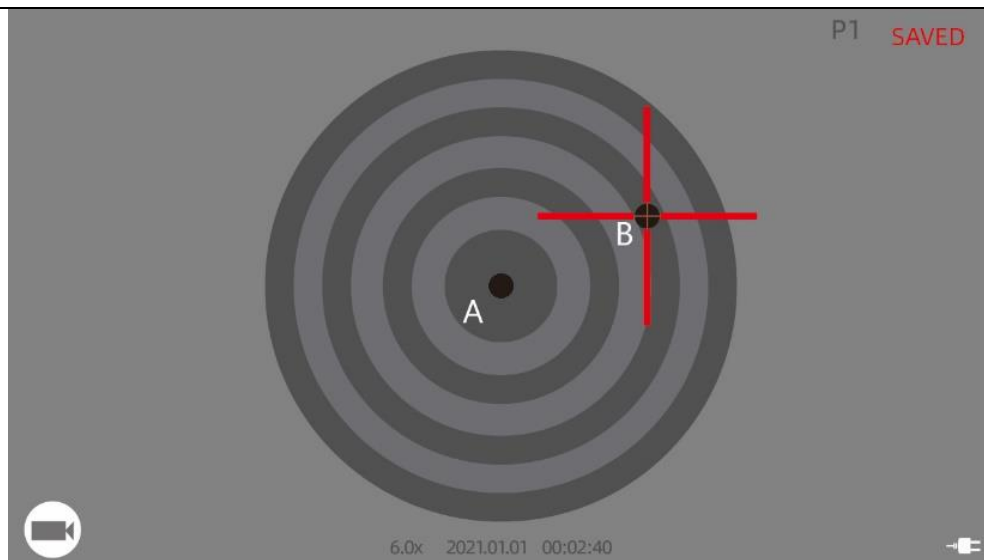


16. P1 to P5 on the top right corner dedicates the zeroed profile number.

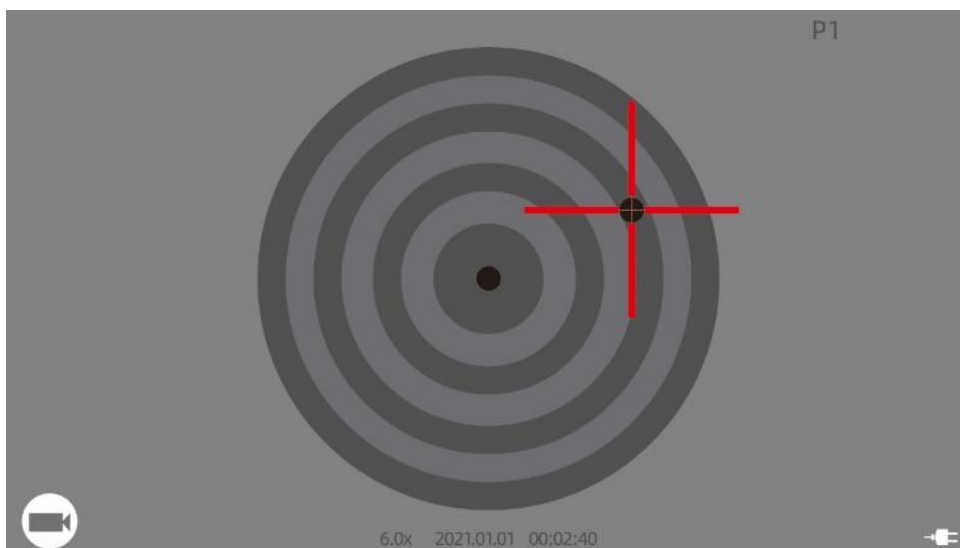
17. In each profile, the distance can also be selected, such as P1 = 100m, P2 = 100m, P3 = 200m, etc.

18. A total of 5 zeroed profiles can be saved.

19. After all adjustments are done, press and hold the menu controller “12” to save. The red word **SAVED** will appear on the top right.



20. After zeroing is complete, the reticle will move to the new position. **This is where the bullet will hit.**

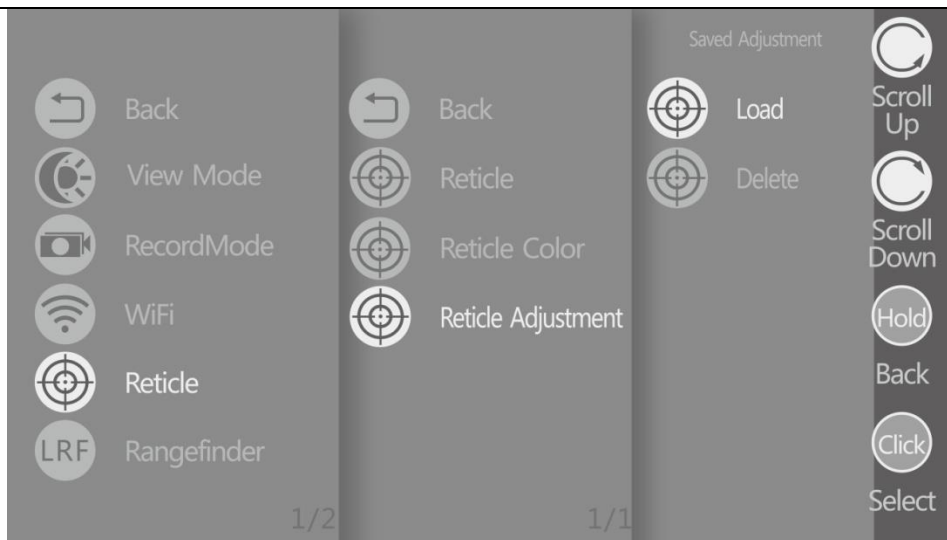


How to load and adjust previously saved zeroed profiles

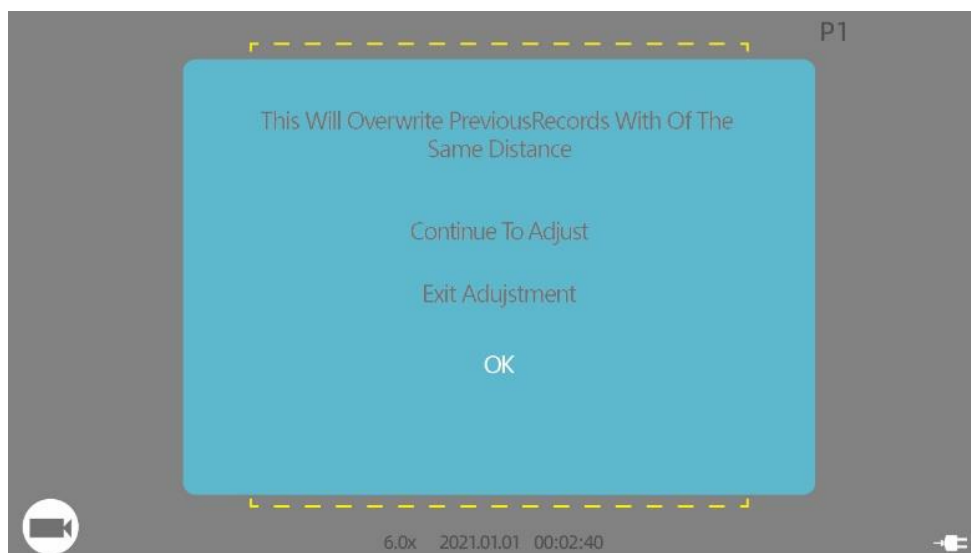


1. To load a previously saved ballistic profile, enter the main menu, select **Reticle** → **Reticle Adjustment** → **Saved Adjustment**, then select the zeroed profile you want to load from P1 to P5.
2. To delete a zeroed profile, select **Delete** in the sub-menu.





3. To adjust a previously saved zeroed profile, first load that profile from P1 to P5 and repeat the steps in the reticle adjustment mode.
4. After all changes are done, press and hold the menu controller “12” and it will open up a window with 3 options:
 - **Continue to Adjust**
 - **Exit Adjustment** (without saving)
 - **Ok** (confirm changes and save)



Note

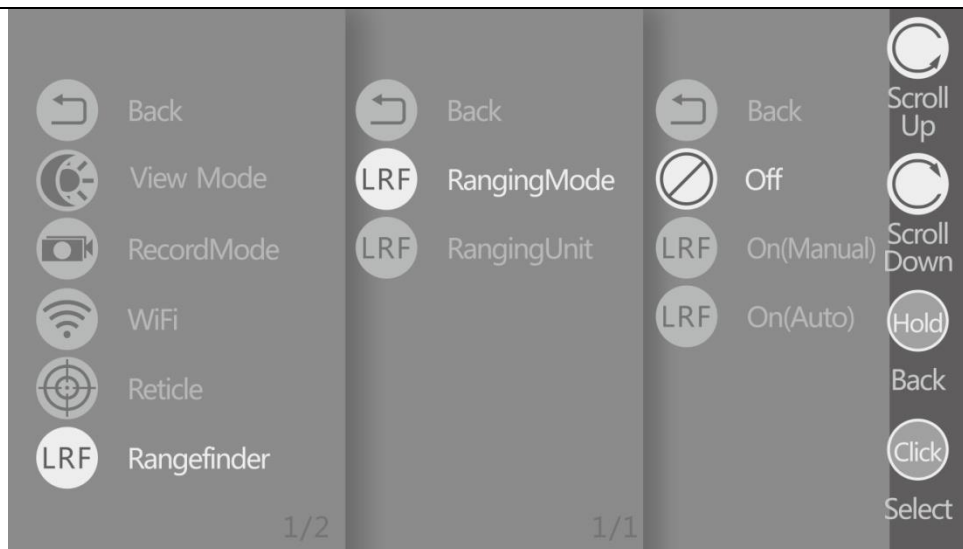
- After turning on the scope, press and holding the front Display Brightness Button “2” will quickly enter shooting & automatic distance measurement alternating mode.

-
- Press and hold the front Display Brightness Button “2” again to alternate between the two options.
 - The shooting mode automatically loads the last used ballistic profile.

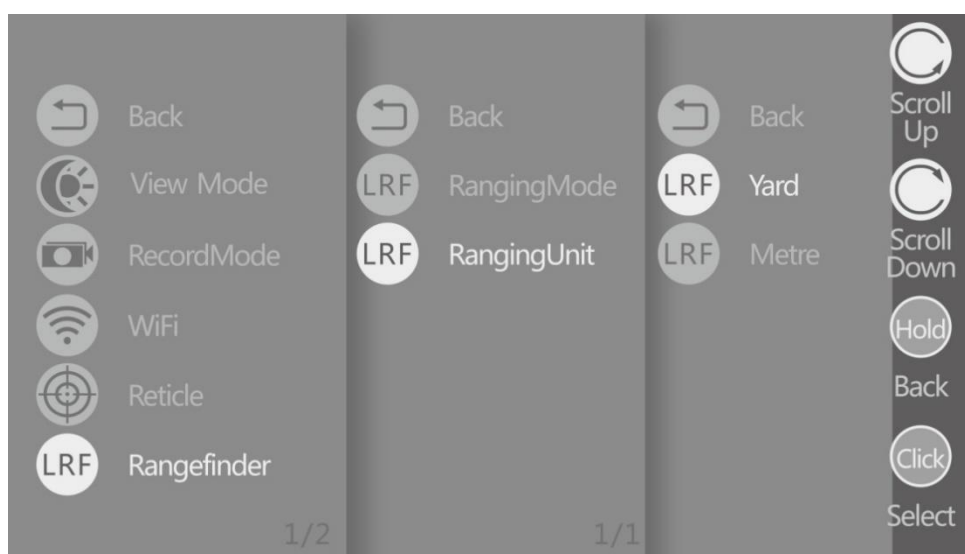
► **How to measure distance using the built-in laser rangefinder** ◄ (Models LN-G3-RS50-LRF and PRO only!)

1. Enter the main menu and select **Rangefinder** → **Ranging Mode** then select one of the following:
2. **On (Manual) mode**
 - After selecting this function, press and hold the menu button “12” to exit menu. This will display the rangefinder box.
 - Aim at a target **then press and hold** the middle Video Recording/Laser Rangefinder Button “3” to find the distance.
 - The distance will be displayed at a 0.5 second interval.
 - Holding the middle button “3” will continuously scan distances.
 - Release the middle button “3” to stop scanning distances.
3. **On (Auto) mode**
 - After selecting this function, press and hold the menu button “12” to exit menu. This will display the rangefinder box.
 - Aim at a target and the distance will be automatically displayed.
 - The distance will be displayed at a 0.5 second interval.
4. To exit rangefinder mode, enter the **Ranging Mode** sub-menu and select **Off**.

IMPORTANT NOTE: to quickly switch between the Rangefinder display box and Aiming Reticle, press and hold the Display Brightness button (2) for approximately 2 seconds.



5. To switch between meters and yards for the distance unit, enter the **Ranging Unit** sub-menu and select **Metre** or **Yard**.



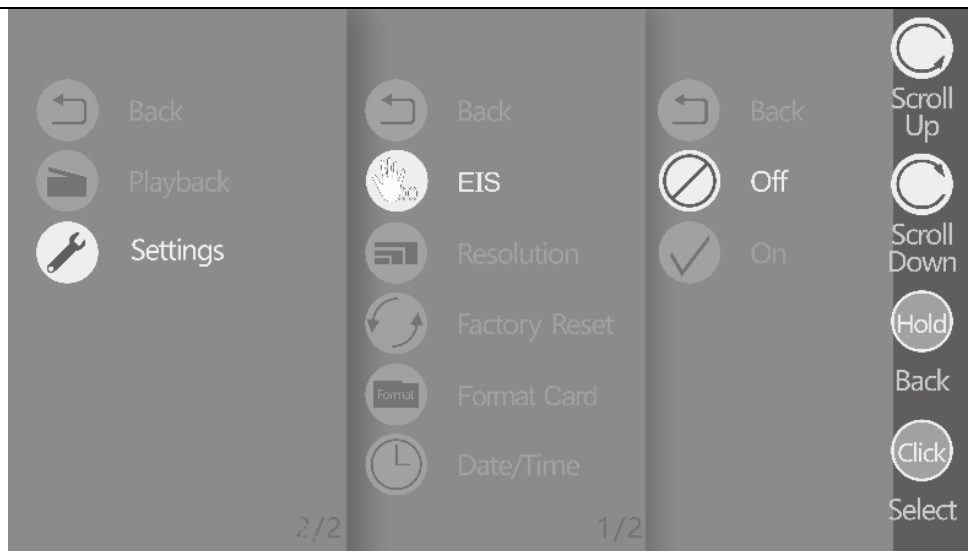
Note

- The laser rangefinder can be used at night. When using the laser rangefinder at night, you may occasionally see a small strip of light flashing on the display. This is normal; this is the light transmitted by the laser from the rangefinder. The destination of the laser is the target being aimed at.
- When ranging the target at short and long distances, the visible small strip of light transmitted by the laser rangefinder may be at different positions on the screen, this is normal.
- The laser from the rangefinder is not exactly fixed in the center of the reticle. To measure the correct distance (especially for smaller targets) aim slightly around the target.
- During inclement weather (rain, fog) or when aiming at a forest or meadow, these conditions may influence the performance of the laser rangefinder. Lighter colored and larger targets will always be easier to detect.
- If the device is turned off in manual or auto rangefinder modes, the default restarting mode is On(Auto) rangefinder mode. It will also restart in Auto mode if you quickly switch between rangefinder and reticle mode via pressing and holding the Display Brightness button for 2sec.

► Electronic image stabilizer mode ◄

1. The electronic image stabilizer mode is used to view and focus on a target and slightly reduce discomfort from shaking.
2. Enter the main menu and select **Settings** → **EIS** → **On**.

In EIS mode, change in magnification will be disabled.
3. The stabilizer icon is displayed on the bottom left of the screen. When the viewed image is stable, the icon will be grey. When the viewed image is being stabilized, the icon will turn blue.
4. To exit EIS mode, enter menu and select **Off**.

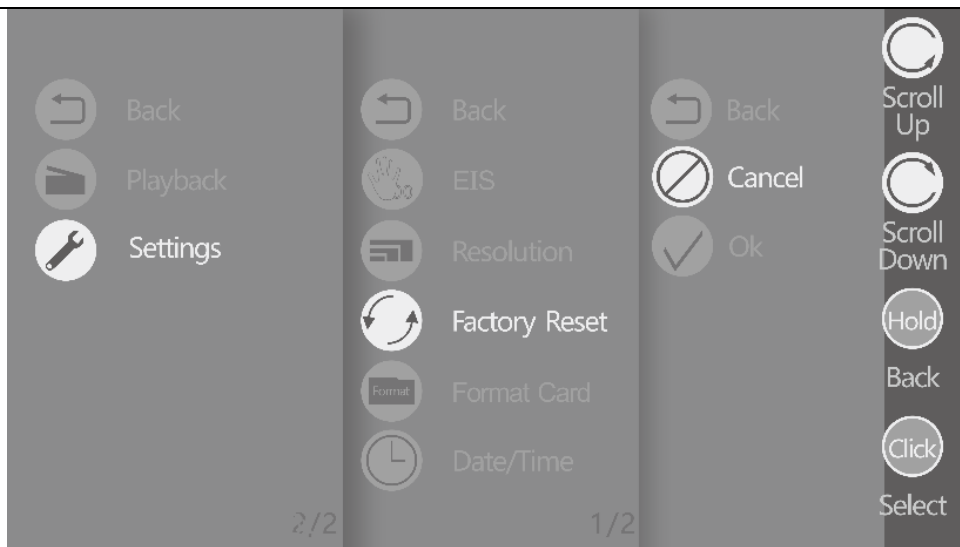


How to reset to factory default settings

1. The factory reset option is to restore all settings to factory default.
2. Enter main menu, select **Settings** → **Factory Reset** → **Ok** to proceed with the factory reset.

Note

- If a Micro-SDHC card is inserted, memory inside the Micro-SDHC card will not be deleted.
- All saved zeroed profiles will be deleted.



► How to format Card (Formatting the Micro-SDHC card) ◄

1. If the inserted Micro-SDHC card format is not supported, it may need to be re-formatted to work properly.
2. Enter the main menu, select **Settings** → **Format Card** → **Are You Sure? (Format Card)**

IMPORTANT:

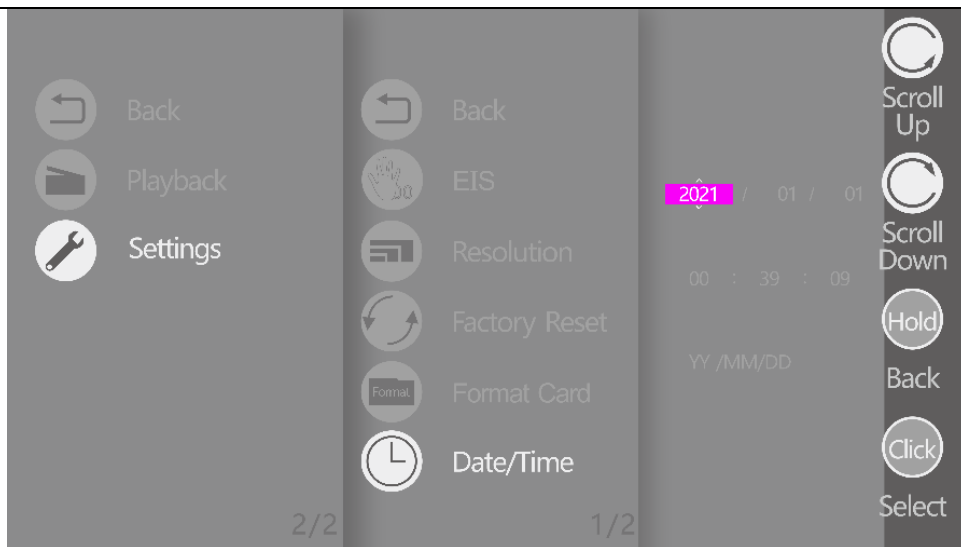
All files on the Micro-SDHC card WILL be deleted after format.

► How to change the date/time ◄

1. Enter the main menu, select **Settings** → **Date/Time**
2. Rotate the menu controller “12” to adjust and press the menu controller “12” to confirm.
3. Press and hold the menu controller “12” to save and exit the menu screen.

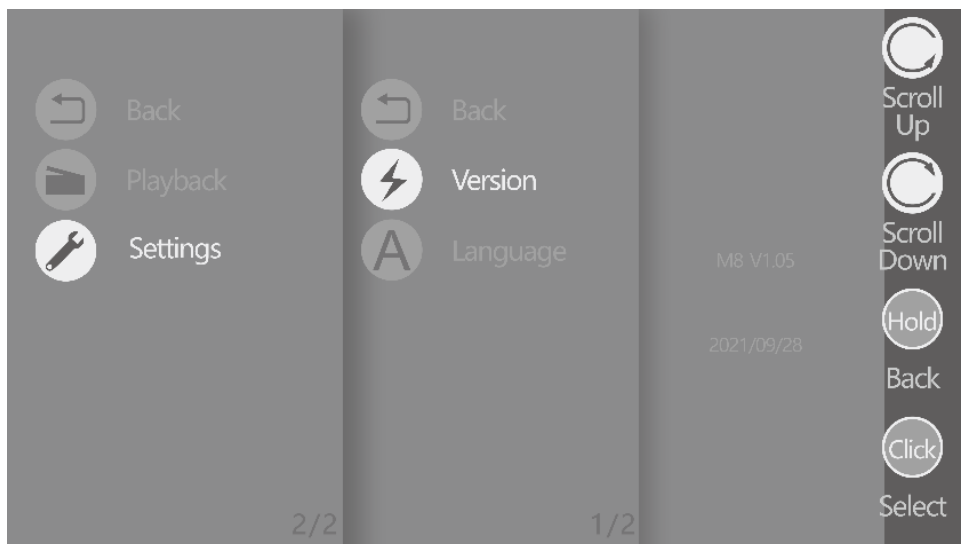
Note

- The date and time will be shown on the video recording.



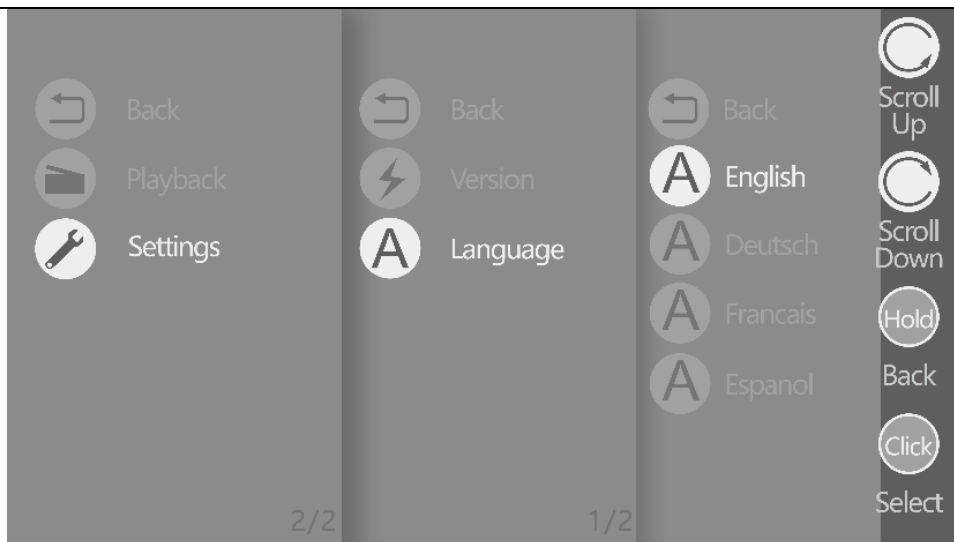
How to check the device software version

1. Enter the main menu, select **Settings** → **Version**



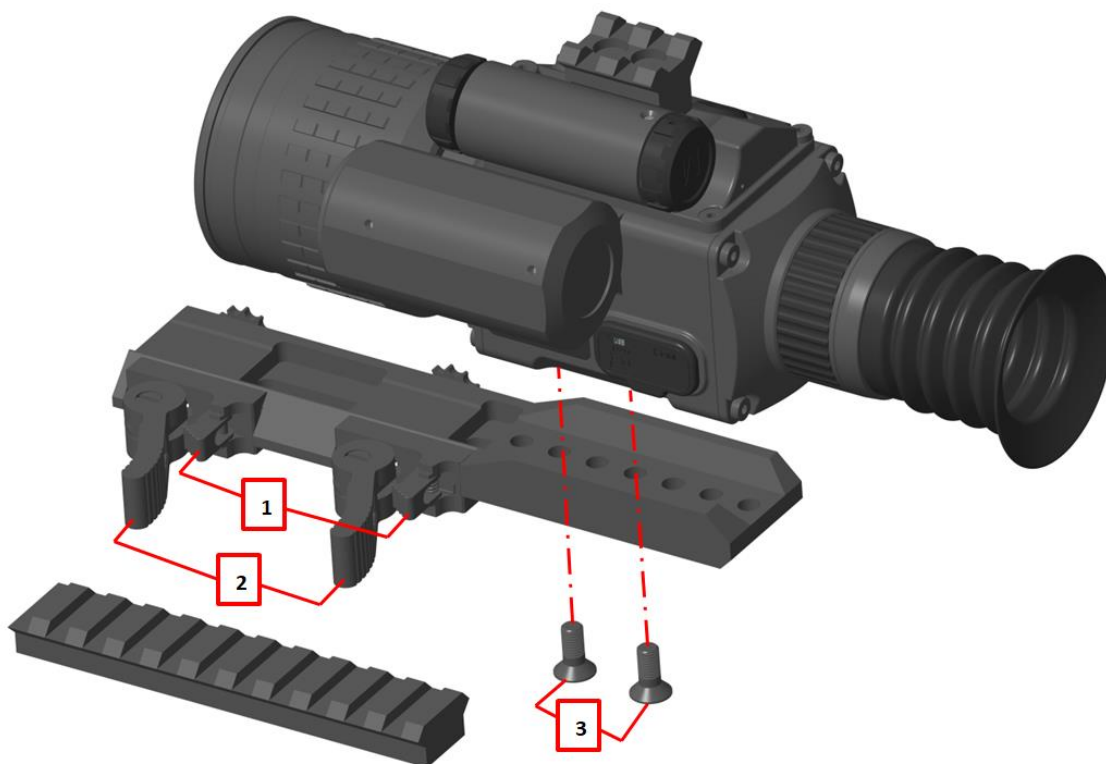
How to change the menu language

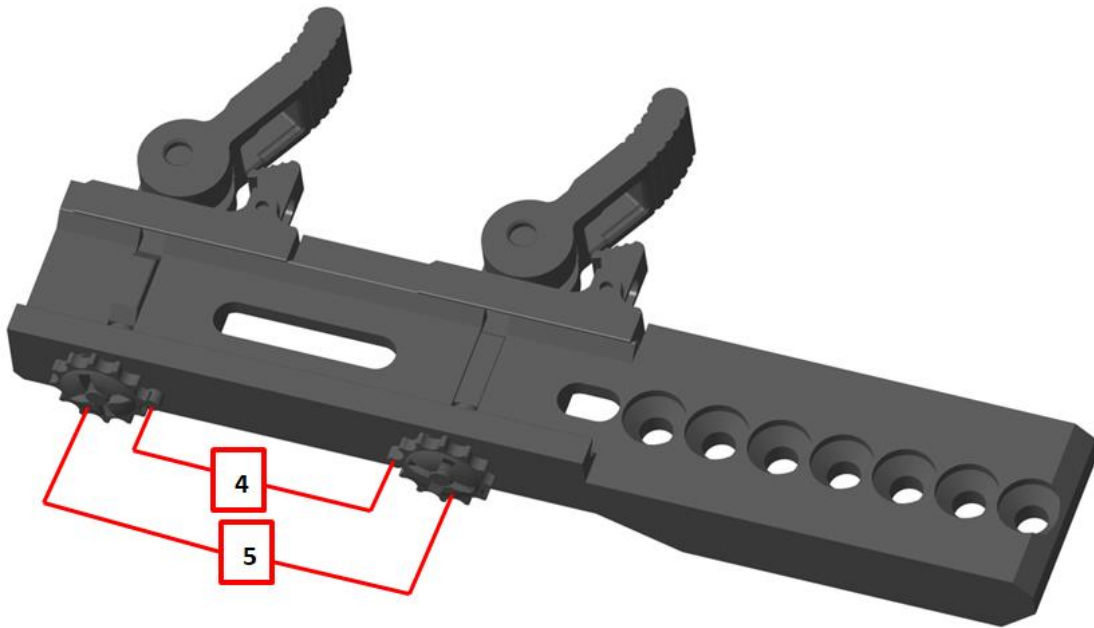
1. Enter the main menu, select **Settings** → **Language** → Choose one of the options available.



How to attach the quick detach mount and fasten it onto the rifle rail

1. Lever lock
2. Lever
3. Fastening screw
4. Locking pin
5. Adjustment wheel

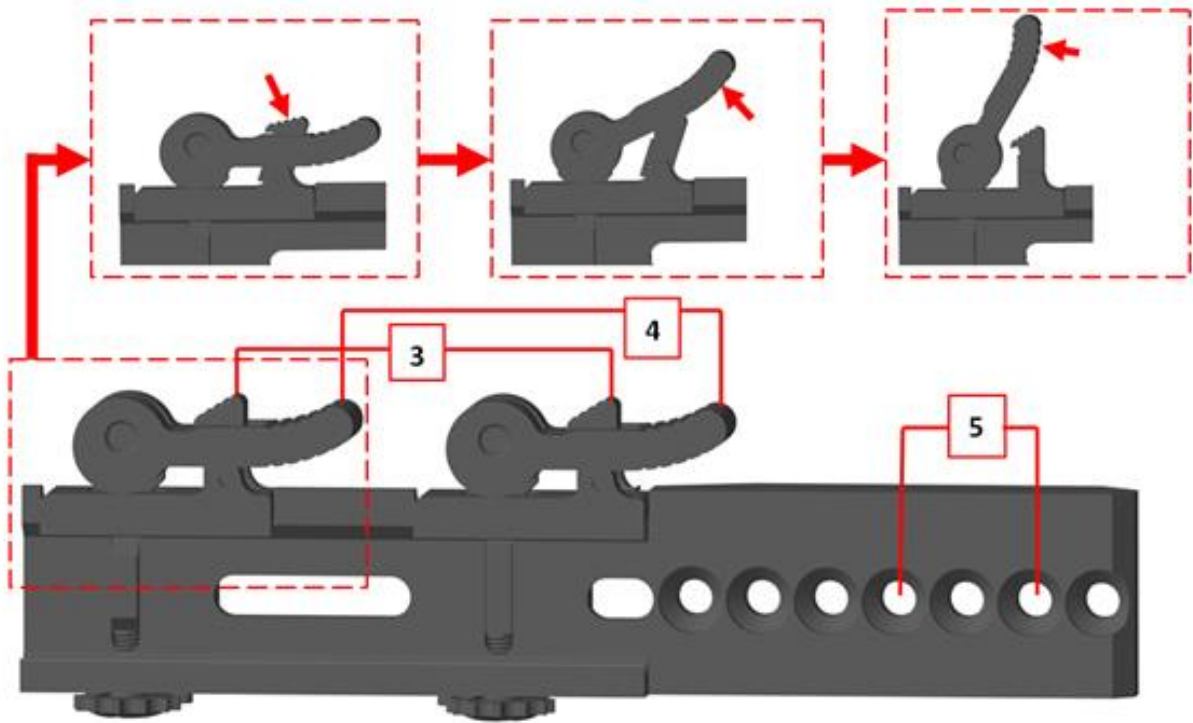




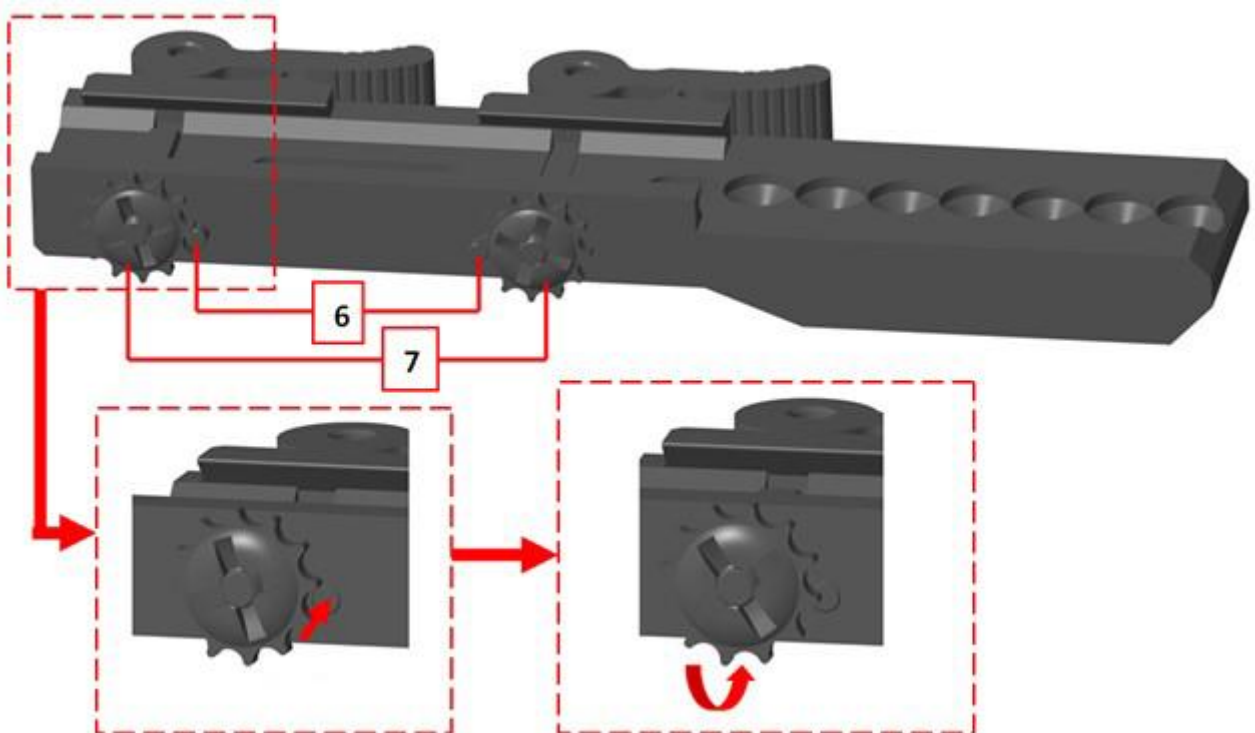
6. Place the riflescope onto the desired position on the mount and fasten with three screws (provided) on the bottom using the (large size) hex wrench (provided).

GLOSSARY FOR THE FOLLOWING TWO IMAGES ONLY:

3. Lever locks
4. Levers
5. Mounting screw slots
6. Locking pins
7. Adjustment wheel



7. Place the riflescope with the mount onto the rifle rail.
8. Pull back the lever lock to open the lever until it is perpendicular to the mount.
9. Push the lever in slightly to release the adjustment wheel.



10. Turn the adjustment wheel to adjust tightness and push it back into the locking pin to secure the position. Test tightness by pushing the lever: If the lever can't be pushed back fully, then it's too tight. If the lever can be pushed back fully but the riflescope is wobbling, then it's too loose. Adjust until the lever can be pushed back fully without using excessive force and the riflescope is secured tightly without any kind of movement. The lever lock should lock into place automatically.

Note

- Don't use excessive force to try and push the levers, it may permanently damage the mount.
- With the correct tightness, the levers should be secured with minimal resistance.

PLEASE REFER TO THE FOLLOWING CHART FOR ALL CALIBERS ACCEPTABLE TO USE WITH THIS RIFLESCOPE

Cartridge (Wb@MV)	Rifle Weight	Recoil energy	Recoil velocity
.17 HMR (17 at 2550)	7.5	0.2	n/a
.17 Hornet (20 at 3650)	8.5	0.6	2.0
.17 Rem. (25 at 4000)	8.5	1.6	3.5
.204 Ruger (33 at 4225)	8.5	2.6	4.4
.218 Bee (45 at 2800)	8.5	1.3	3.1
.219 Wasp (55 at 3300)	8.5	3.2	4.9
.219 Zipper (55 at 3400)	8.5	3.4	5.1
.22 LR (40 at 1165)	4.0	0.2	n/a
.22 WMR (40 at 1910)	6.75	0.4	n/a
.22 Hornet (45 at 2800)	7.5	1.3	3.3
.22 PPC (52 at 3300)	8.5	3.0	4.8
.221 Fireball (50 at 3000)	8.5	1.8	3.7
.222 Rem. (50 at 3200)	7.5	3.0	5.1
.223 Rem. (45 at 3500)	8.5	2.6	4.5
.223 Rem. (55 at 3200)	8.0	3.2	5.1
.223 Rem. (62 at 3025)	7.0	3.9	6.0
.223 Rem. (70 at 2900)	8.0	3.6	5.4
.22 BR Rem. (52 at 3664)	8.0	4.1	5.7
.225 Win. (55 at 3700)	8.5	4.4	5.7
.224 Wby. Mag. (55 at 3700)	10.0	3.6	4.8

.22-250 Rem. (55 at 3600)	8.5	4.7	6.0
.22-250 Rem. (60 at 3500)	12.5	3.1	4.0
.220 Swift (50 at 3900)	10.5	3.7	4.8
.220 Swift (55 at 3800)	8.5	5.3	6.4
.223 WSSM (55 at 3850)	7.5	6.4	7.4
.224 TTH (80 at 3550)	7.5	10.2	9.4
5.6x50 Mag. (60 at 3300)	7.5	4.0	5.9
5.6x52R (70 at 2800)	7.5	3.7	5.7
5.6x57 RWS (60 at 3800)	7.5	6.9	7.7
6mm PPC (85 at 2800)	7.5	5.3	n/a
6mm BR Rem. (80 at 3100)	8.5	5.2	6.3
6mm-223 (75 at 2950)	7.5	4.6	n/a
6mm Norma BR (95 at 2914)	8.5	5.9	6.7
6mm Lee Navy (112 at 2650)	8.5	6.5	7.0
.243 Win. (75 at 3400)	8.5	7.2	7.4
.243 Win. (95 at 3100)	7.25	11.0	9.9
.243 Win. (100 at 2960)	7.5	8.8	8.7
6mm Rem. (100 at 3100)	8.0	10.0	9.0
6mm-284 (105 at 3000)	7.5	10.9	9.7
6mm-06 (105 at 3000)	8.0	10.2	9.1
.243 WSSM (100 at 3100)	7.5	10.1	9.3
.25-20 Win. (86 at 1460)	6.5	1.3	3.5
.256 Win. Mag. (75 at 2400)	7.5	2.4	4.5
.25-35 Win. (110 at 2425)	7.5	6.0	7.2
.25-35 Win. (117 at 2230)	6.5	7.0	8.3
.250 Savage (100 at 2900)	7.5	7.8	8.2
.257 Roberts (100 at 3000)	7.5	9.3	8.9
6.5mm Rem. Mag. (120 at 3100)	8.0	13.1	10.3
6.5mm Rem. Mag. (140 at 2900)	8.5	13.9	10.3
6.5x68 S (140 at 2990)	8.5	16.8	11.3
6.8mm Rem. SPC (115 at 2625)	7.5	8.0	8.3
6.8mm Rem. SPC (120 at 2460)	8.0	7.5	n/a
.270 Win. (120 at 2675)	8.0	10.0	9.0
.270 Win. (130 at 3140)	8.0	16.5	n/a
.270 Win. (140 at 3000)	8.0	17.1	11.7
.270 Win. (150 at 2900)	8.0	17.0	11.7
7-30 Waters (120 at 2700)	7.0	10.0	9.6
7x57 Mauser (139 at 2700)	8.75	11.7	9.3
7x57 Mauser (140 at 2660)	8.0	13.5	10.4
7x57 Mauser (145 at 2725)	8.5	13.0	9.9
7x57 Mauser (160 at 2600)	8.0	14.3	n/a
7x57 Mauser (175 at 2500)	8.0	15.5	11.2

7mm-08 Rem. (120 at 3000)	7.5	12.1	10.2
7mm-08 Rem. (140 at 2860)	8.0	12.6	10.1
7mm-08 Rem. (150 at 2750)	7.5	13.9	10.9
.284 Win (150 at 2860)	7.5	17.4	n/a
7x64 (154 at 2850)	8.0	17.9	n/a
7x65R (175 at 2600)	8.0	17.1	11.7
.280 Rem. (140 at 3000)	8.0	17.2	11.8
.280 Rem. (150 at 2900)	8.0	17.4	11.8
.280 Rem. (160 at 2800)	8.0	17.0	11.7
.280 Ackley Imp. (150 at 2930)	8.5	16.3	11.1
7mm Rem. Mag. (140 at 2700)	8.5	15.5	10.8
.30 Carbine (110 at 1990)	7.0	3.5	5.7
.300 Blackout (135 at 2085)	8.0	7.0	n/a
.30 Rem. (170 at 2120)	7.5	9.8	9.2
.30-30 Win. (125 at 2175)	7.5	6.6	7.5
.30-30 Win. (150 at 2364)	8.0	9.4	8.7
.30-30 Win. (150 at 2400)	7.5	10.6	9.5
.30-30 Win. (160 at 2400)	7.5	12.7	10.5
.30-30 Win. (170 at 2200)	7.5	11.0	9.7
7.5x54 MAS (150 at 2600)	9.0	11.3	9.0
.30-40 Krag (180 at 2430)	8.0	16.6	n/a
.300 Sav. (150 at 2630)	7.5	14.8	n/a
.307 Win. (150 at 2600)	7.5	13.7	10.9
.308 Marlin Express (160 at 2660)	8.0	13.4	10.4
7.5x55 Swiss (150 at 2800)	9.0	12.9	9.6
.308 Win. (125 at 2675)	8.75	9.0	8.1
.308 Win. (150 at 2800)	7.5	15.8	11.7
.308 Win. (165 at 2700)	7.5	18.1	12.5
.308 Win. (180 at 2610)	8.0	17.5	11.9
.30 T/C (150 at 2900)	8.5	13.9	10.3
.30-06 Spfd. (125 at 2660)	8.0	10.2	n/a
.30-06 Spfd. (150 at 2910)	8.0	17.6	11.9
7.62x39 Soviet (125 at 2350)	7.0	6.9	8.0
.303 Savage (170 at 2170)	7.5	10.3	9.4
7.65x53 Mauser (180 at 2500)	8.0	15.4	n/a
7.62x53R Finn (150 at 2800)	9.0	13.1	9.7
7.62x54R Russian (150 at 2800)	9.0	13.1	9.7
7.62x54R Russian (174 at 2600)	9.0	15.0	10.4
.303 British (150 at 2700)	7.5	14.2	11.0
.303 British (180 at 2420)	8.0	15.4	11.1
7.7x58 Jap (150 at 2700)	9.0	11.9	9.2
.32-20 Win. (100 at 1984)	6.5	3.3	n/a

.32 Spec. (165 at 2410)	7.5	13.2	10.6
.32 Spec. (170 at 2250)	7.0	12.2	10.6
8x56 M-S (170 at 2260)	8.0	12.4	10.0
8x57 Mauser (170 at 2400)	8.0	13.6	10.4
8x57JS Mauser (150 at 2900)	8.0	17.1	11.7
.33 Win. (200 at 2100)	8.0	13.9	10.6
.338 Marlin Express (200 at 2400)	8.0	16.2	11.4
.38 Special. (158 at 1100)	7.0	1.7	4.0
.357 Mag. (158 at 1650)	7.0	4.7	6.6
.357 Mag. (180 at 1550)	6.5	5.5	7.4
.35 Rem. (200 at 2050)	7.5	13.5	10.8
.356 Win. (200 at 2400)	7.5	17.5	n/a
.375 Win. (220 at 2200)	7.5	17.1	12.1
.38-40 Win. (180 at 1100)	7.5	3.1	5.2
.38-55 Win. (220 at 1650)	7.5	10.1	9.3
.38-55 Win. (255 at 1320)	7.5	7.8	8.2
.38-55 Win. (255 at 1415)	7.0	9.5	n/a
.38-55 Win. +P (255 at 1950)	7.5	17.4	12.2
.44-40 Win. (200 at 1200)	7.0	3.4	n/a
.44 Rem. Mag. (240 at 1760)	7.5	11.2	9.8
.44 Rem. Mag. (275 at 1580)	7.5	11.4	9.9
.45 Colt (255 at 1100)	8.0	4.0	5.6
.45 Colt +P (250 at 1500)	6.5	11.1	10.5
.480 Ruger (325 at 1450)	6.25	16.4	13.0

The above chart is not a complete list of all suitable calibers. Please note that any load variation in the same caliber (grain, +P, +P+ etc.) may push the recoil energy over the limit specified for this scope. Please check the bullet weight (Wb) and muzzle velocity (MV) of your round prior to shooting. Maximum recoil energy must not be more than 18.5

TECHNICAL SPECIFICATIONS

MODEL	LN-G3-RS50	LN-G3-RS50-LRF (PRO)
LASER RANGEFINDER SPECIFICATIONS		
Distance Measurement		10m to 700m (1500m)
Distance Measurement Accuracy		<400m ±1m, > 400m ±0.4% <i>m</i>
Laser Type		905nm (Class 1 Eye Safe)
RIFLE SCOPE SPECIFICATIONS		
Eye Relief		40mm
Reticle Types		5 Reticles
Reticle Colors		7 Colors
Reticle Visible in Video		Yes
Digital Zeroing		Yes
Scope Mount		Included (QD)
NIGHT VISION SPECIFICATIONS		
Detection Range (1/4 moon, IR ON)		0.8m to 600m (654yds)
Detection Range (Full Moon)		0.8m to 1000m (1090yds)
IR Effective Distance		3 Levels: 200m to 650m (218yds to 708yds)
Infrared (IR) Light		850nm/1W
Low Light Sensitivity		0.002LUX
MEDIA SPECIFICATIONS		
Display Resolution	720P: 720(V) x 1280(H) Micro-display 9.69mm (0.38")	
Display Colors	Natural/Black and White/Green/Amber	
Video Taking Resolution	(1920x1080) 60fps to (2560*1440) 30fps	
Frames Per Second	30fps / 60fps	
Video Output	Mini HDMI	
Photo Taking Resolution	16.12MP Megapixels (5360x3008)	
OPTICAL SPECIFICATIONS		
Magnification	6 to 36X	
Objective Diameter	50mm/F1.0	
Field of View	10°	
Diopter Adjustment	±5	
PHYSICAL SPECIFICATIONS		
Memory Card Capacity	Up to Micro SD HC 128GB (Format: FAT32)	
Battery Type	2X CR123A or Power Bank	
Battery Life	3.5 Hours by battery	
Power Bank Input	Yes (battery life dependent on power bank mAh)	
DC Input	Micro USB 5V2A	
Operating Temperature	-10 to + 50°C (14F to 122F)	
Dust & Water Resistance Rating	IP65	
Dimensions (LxWxH)	227x70x95mm	227x90x100mm
Weight (Without Battery)	780 g (1.7lbs)	890 g (2.0lbs)

Luna Optics, Inc. / 300 Hawthorn Dr., Fate, TX 75087 – USA

Tel: +1-972-722-1100 / E-mail: info@lunaoptics.com / Web: www.lunaoptics.com

© 2022